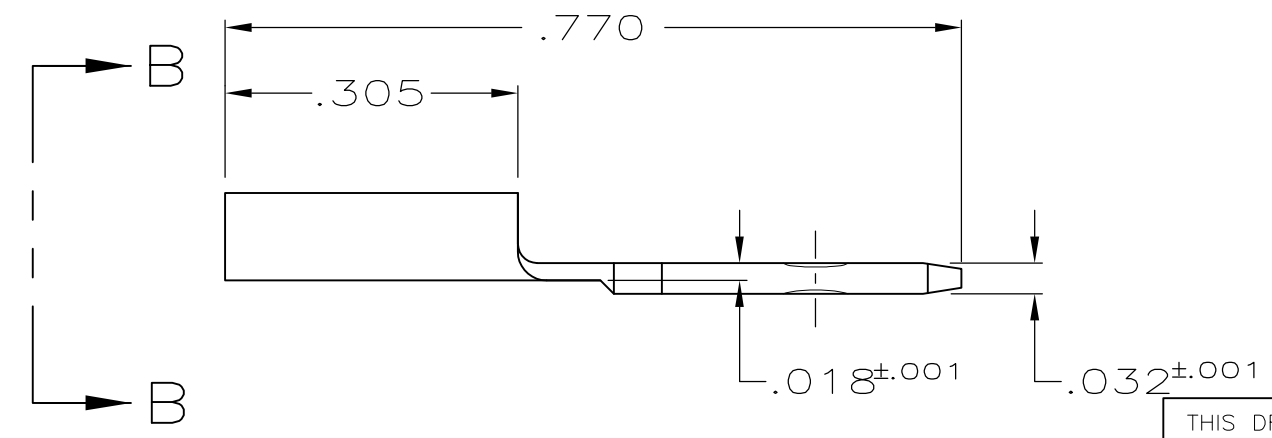
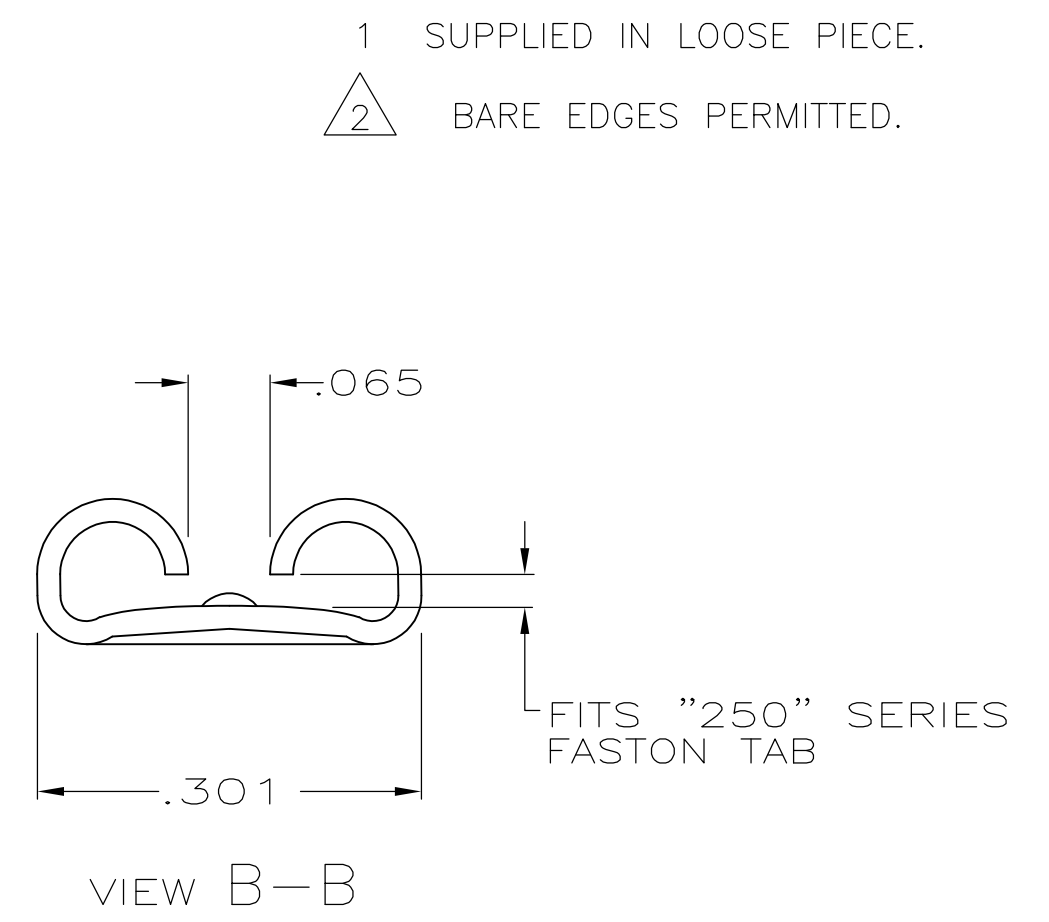
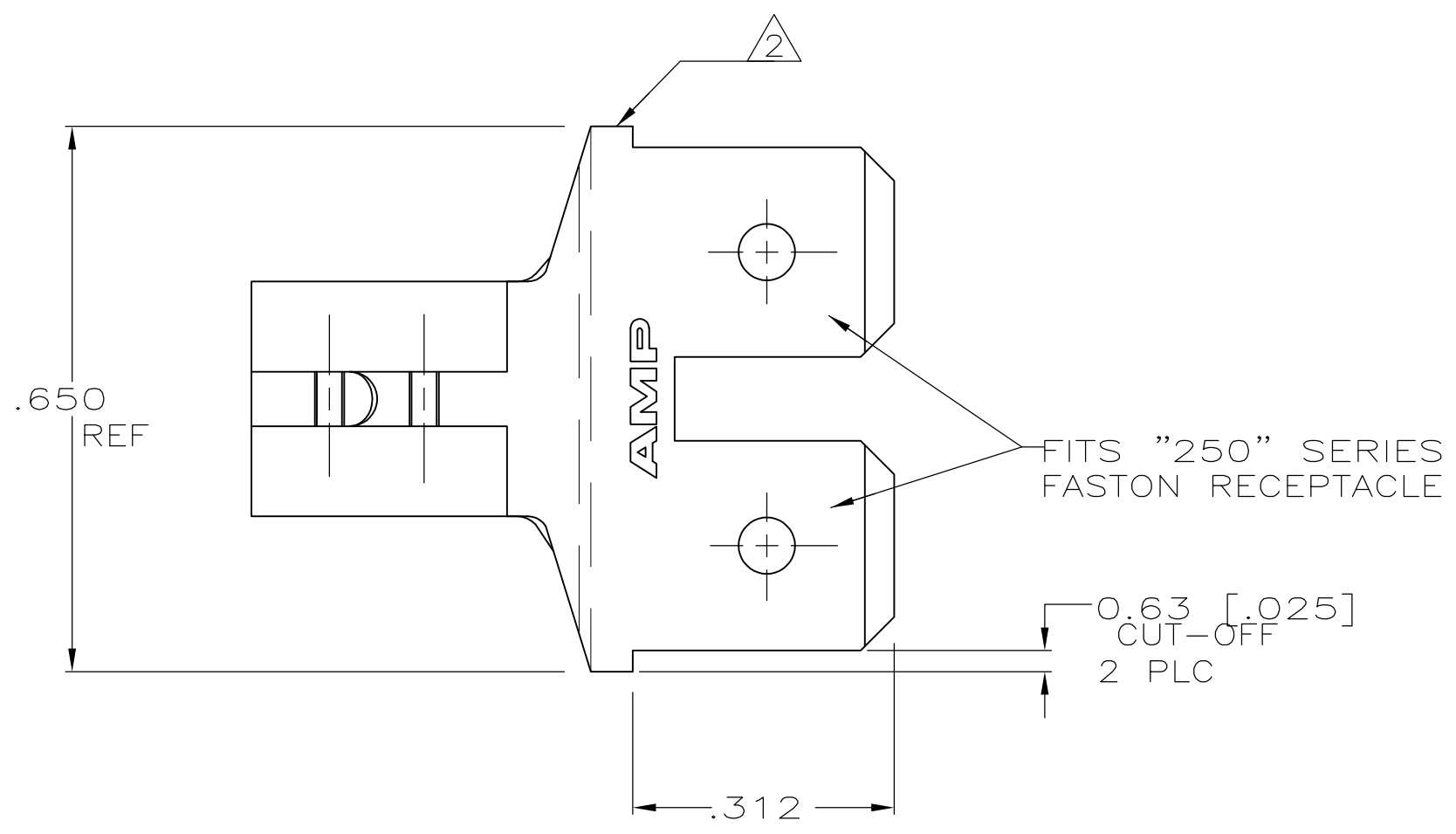


THIS DRAWING IS UNPUBLISHED. RELEASED FOR PUBLICATION
 © COPYRIGHT - By - ALL RIGHTS RESERVED.

LOC	DIST	REVISIONS			
P	LTR	DESCRIPTION	DATE	DWN	APVD
AF	50	G	REVISED PER ECR-12-013459	28NOV2012	KH PD



.032	TIN PL .000080 MIN THK	BRASS	61765-2
MATING TAB THK ±.001	NONE	MATERIAL	61765-1
	FINISH		PART NO.

THIS DRAWING IS A CONTROLLED DOCUMENT.

DIMENSIONS: INCHES	TOLERANCES UNLESS OTHERWISE SPECIFIED:	DWN DK SCHRUM 3/10/86	TE Connectivity RECEPTACLE AND TABS, FASTON, ADAPTER, 250 SERIES
	0 PLC ± -	CHK JR RUTH 3/10/86	
	1 PLC ± -	APVD C MEYERS 3/15/86	
	2 PLC ± -	NAME	
	3 PLC ± .015	PRODUCT SPEC	SIZE
	4 PLC ± -	APPLICATION SPEC	CAGE CODE
	ANGLES ± -	WEIGHT -	DRAWING NO
MATERIAL SEE TABLE	FINISH SEE TABLE	CUSTOMER DRAWING	RESTRICTED TO -
		SCALE 5:1	SHEET 1 OF 1
		REV G	